



PCB301/ PCB601 Bed Frames
Owner's Manual



Manufacturer | Primus Medical, LLC®
ADDRESS: 8401 Southern Blvd, Boardman, OH 44512

TABLE OF CONTENTS

STANDARD CONVENTIONS	page 3
FEATURES AND ACCESSORIES	page 4
TECHNICAL SPECIFICATIONS	page 5
SAFETY INSTRUCTIONS	page 6
LEFT/RIGHT REFERENCE GRAPHIC	page 8
ELECTROMAGNETIC EMISSIONS AND IMMUNITY	page 8
ASSEMBLY AND ADJUSTMENT	page 12
BED FUNCTIONS	page 16
BED MOBILIZATION AND STABILIZATION	page 17
CARE AND MAINTENANCE	page 18
INSPECTIONS	page 18
SERVICING	page 20
TROUBLESHOOTING GUIDE	page 21
WARRANTY	page 22

Note: The information within this document is subject to change without notice. This manual includes important information about safety of personnel and equipment. As you read through this manual be aware of the four signal indicators.

STANDARD CONVENTIONS USED IN THIS MANUAL



DANGER

Information that appears under the DANGER description concerns the protection of personnel from direct and pending hazards that, if not avoided, will result in immediate, serious personal injury or death in addition to damage of the equipment.



WARNING

Information that appears under the WARNING description concerns the protection of personnel from possible hazards that can result in injury or death in addition to damage of the equipment.



CAUTION

Information that appears under the CAUTION description concerns the protection of personnel from possible hazards that may result in minor injury or damage of the equipment.

NOTE

Information that appears under the NOTE description gives added information, which helps in understanding the item being described.

PCB301 / PCB601 FEATURES AND ACCESSORIES

Standard Features

Roll at Any Height Design

Locking System:

- Roll-at-any-Height Caster Lock Mechanism
- Roll-at-any-Height Foot Pad Lock Mechanism (if equipped)

IV pole holder

Slat Sleep Deck

Heavy Duty Casters

Mattress Retainer

Heel Lift Ratchet

Welded frame

Accessories and Options

Primus Medical 80" mattress

42" Width Extension

Fixed Assist Bar^{††}

Rotating Assist Bar^{††}

Rotating Assist Rail^{††}


Prime Mat

Transport System

Trapeze

Staff Control Panel **

Battery Backup System **

††  Incompatible side rails can create hazards. Read instructions for use. Use only side rails that Primus Medical has indicated are compatible with this bed.

** PCB601 Model ONLY

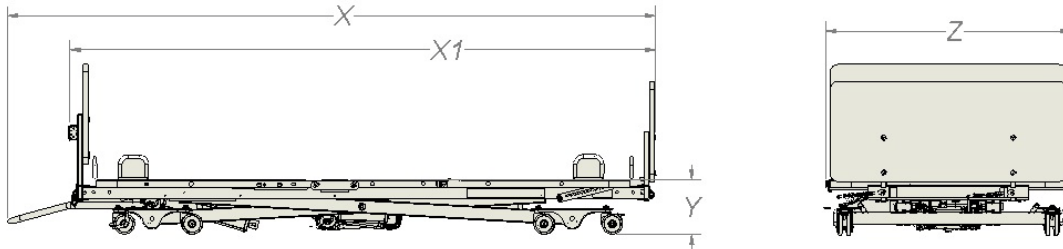
Bed Serial Numbers

When Ordering parts or when contacting Primus Medical Customer Service Department, please include bed's model and serial numbers, found on the identification labels. The identification labels are located under the sleep deck on the frame rail below the foot section on either side of the bed.

PRIMUS MEDICAL COMPLIANCE INFORMATION

Matching the correct bed components to meet regulatory specifications can be complicated. Primus Medical offers a wide variety of compliance options. Primus Medical can assist your facility in selecting components or accessories that are recommended for the specific bed model.

TECHNICAL SPECIFICATIONS



ITEM	SPECIFICATION
Overall Length (with wall bumper) (X)	91.5" (2310 mm)
Overall Length (without wall bumper) (X1)	86.5" (2195 mm)
Overall Width (PCB301) (Z)	36" (916 mm)
Overall Width (PCB601) (Z)	36.75" (934 mm)
Overall Width (with side 1 of width extension)	39" (990 mm)
Overall Width (with both sides of width extension)	42" (1067 mm)
Overall Width Increase with Fixed Assist Bar	2.25" (57 mm)
Overall Width Increase with Rotating Assist Bar/Rail	3.625" (92mm)
Length of Mattress Deck	79"
Mattress Deck Low Position (Y)	8"
Mattress Deck High Position(Y)	26"
Head Deck Angle Range	0° to 70°
Thigh Deck Angle Range	0° to 20°
Foot Deck Angle Range	0° to 6°
Knee to Foot Deck Angle Range	0° to 26°
Weight of Bed (PCB301) without H/F boards or accessories	210 lbs (95 Kg)
Weight of Bed (PCB601) without H/F boards or accessories	212 lbs (96 Kg)
Maximum Weight Capacity	450 lbs (204 Kg)
Input Voltage	100-240 VAC, 50/60 Hz
Actuator Voltage	24 VDC
Mattress Thickness Range	5.5" to 7" (140 mm to 178 mm)
Mattress Width	36" (914 mm) or 42" (1067 mm)
Mattress Length	80" (2032 mm)

General information

This medical bed is a class II type B IP54 medical device. The recommended environment for operation of the bed is listed below:

- Ambient temperature: 10°C ~ 40°C (50°F~104°F)
- Relative humidity range: 30% ~ 75%
- Atmospheric pressure: 86KPa~ 106Kpa

The recommended environment for storage/transportation is listed below:

- Ambient temperature: -10°C ~ 50°C (14°F~122°F)
- Relative humidity range: 10% ~ 93%
- Atmospheric pressure: 86KPa~ 106KPa

NOTE: The information in this document is subject to change without notice.

SAFETY

DO NOT operate this product without first reading and understanding this user manual. Damage or injury may result from improper use of this product.

The Primus Medical roll-at-any-height beds are **intended for use** within an institutional healthcare environment. Primus Medical recommends compliance to Application Environment 3 (ie: Skilled Nursing, Transitional Care, Rehabilitation Care, Assisted Living).



WARNING

DO NOT plug anything into the control box of bed (i.e. pendants and actuators) while power cord is plugged into the wall outlet.

Any cords or tubing used on or with this bed **MUST** be routed and secured properly to ensure that they do NOT become entangled, kinked or severed during normal operation of the bed.

DO NOT roll the bed over any power or pendant cords.



DANGER SHOCK HAZARD This bed is equipped with a three-prong grounding plug for protection against possible shock hazard. DO NOT under any circumstances cut or remove the grounding prong.

DO NOT open any actuators, control boxes or pendants. Service is only to be performed by authorized service personnel. If unauthorized service is performed on any components the warranty is void.



DO NOT use near explosive gases.



Possible Fire Hazard if the use of nasal mask in 1/2 bed tent O₂ administering equipment. If O₂ tent is being used it should not fall below the mattress deck. The pendant should not be placed in oxygen enriched environment such as an O₂ tent.

Possible Injury or Death may occur if replacement parts are not provided by Primus Medical, LLC® on any Primus Medical bed.

Possible injury or Death may occur if accessories are not provided by Primus Medical, LLC for Primus Medical beds. Please contact Primus Medical for accessories that are compatible before use of bed.

This medical bed is not intended to work with patient lifts other than those specified by Primus Medical as being compatible.

DO NOT use assist bars as handles for moving the bed.



CRUSH HAZARD Possible injury may occur when activating the Foot Pad Lock Mechanism*. This feature was designed to be activated by your foot. Using your hand could result in injury. *PCB601 Only.

Keep all moving parts free of obstructions.

NEVER permit more than one (1) person in/on the bed at any time. The weight capacity of this bed is **450lbs. including all accessories and options.**

Body weight should be evenly distributed over the sleeping surface of the bed. Avoid situations where entire body weight is on a raised head or foot surface. This includes while assisting the user in repositioning or transferring out of bed.

NEVER allow anyone under the bed at any time.

Supervision is required when this product is operated by or near children or people with disabilities.

Ensure that the individual using this bed is properly positioned, particularly when the bed is being operated or moved.

DO NOT let any body parts protrude over the side or between parts, especially when the bed is being moved or operated.

Caster and floor locks (if equipped) shall be used except when bed is being moved.

Bed is not intended for patient transport.



The medical bed should be left in its lowest position except when care is being provided in order to reduce risk of injury due to falls.

Bed should be at lowest suitable height for entry and exit.

Possible injury or Death may occur due to pendant cord being a source for entangling patient/resident. Patients/residents with decreased mental acuity should NOT have access to pendant.

Possible Injury or Death may occur if bed is pushed over abrupt thresholds while bed is occupied. This bed is not intended for patient transport.



WARNING

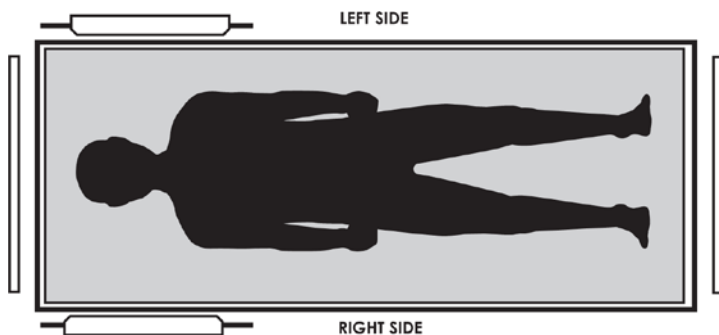
No modification of this equipment is allowed.

Only items that have been specified as part of this bed or that have been specified as being compatible with this bed shall be connected to it.

Caution- This bed frame complies with EMC requirements of IEC 60601-1-2. Radio transmitting equipment, cell phones or similar electronic devices, used in proximity of the bed, may affect the beds performance.

There are no known contra-indications to use for this product.

LEFT/RIGHT REFERENCE GRAPHIC



ELECTROMAGNETIC EMISSION AND IMMUNITY

This MEDICAL ELECTRICAL EQUIPMENT needs special precautions regarding EMC and needs to be installed and put into service according to the EMC information provided in the table below.

Portable and mobile RF communications equipment can affect MEDICAL ELECTRICAL EQUIPMENT



WARNING

The use of ACCESSORIES, transducers and cables other than those specified, with the exception of transducers and cables sold by the manufacturer of the EQUIPMENT or SYSTEM as replacement parts for internal components, may result in increased EMISSION or decreased IMMUNITY of the EQUIPMENT or SYSTEM.

DECLARATION - ELECTROMAGNETIC EMISSIONS

Guidance and manufacturer's declaration - Electromagnetic emissions		
The Prime Care™ B301/B601 is intended for use in the electromagnetic environment specified below. The customer or the user of the Prime Care™ B301/601 should ensure that it is used in such an environment.		
Emissions Test	Compliance	Electromagnetic environment - Guidance
RF Emissions CISPR 11	Group B	The Prime Care™ B301/601 must emit electromagnetic energy in order to perform its intended function. Nearby electronic equipment may be affected.
RF Emissions CISPR 11	Class 1	The Prime Care™ B301/601 is suitable for use in all establishments including domestic establishments and those directly connected to the public power supply network that supplies buildings used for domestic purposes.
Harmonic Emissions IEC 61000-3-2	Not Applicable	
Voltage fluctuations/ flicker emissions IEC 6100-3-3		

**Recommended separation distances between portable and mobile
RF communications equipment and the Prime Care™ B301/601**


The Prime Care™ B301/601 is intended for use in the electromagnetic environment in which radiated RF disturbances are controlled. The customer or the user of the Prime Care™ B301/601 can help prevent electromagnetic interference by maintaining a minimum distance between portable and mobile RF communications equipment (transmitters) and the Prime Care™ B301/601 as recommended below, according to the maximum output power of the communications equipment.

Rated maximum output power of transmitter W	Separation distance according to frequency of transmitter m		
	150 kHz to 80 Mhz $d = (1,2\sqrt{P})$	80 MHz to 800 Mhz $d = (1,2\sqrt{P})$	800 MHz to 2,5 GHz $d = (2,3\sqrt{P})$
0.01	0.12	0.12	0.23
0.1	0.38	0.38	0.73
1	1.2	1.2	2.3
0.1	0.38	0.38	0.73
10	3.8	3.8	7.3
100	12	12	23

For transmitters rated at a maximum output power not listed above, the recommended separation distance d in meters (m) can be estimated using the equation applicable to the frequency of the transmitter, where P is the maximum output power rating of the transmitter in watts (W) accordable to the transmitter manufacturer.

NOTE 1 At 80 MHz and 800 MHz the separation distance for the higher frequency range applies

NOTE 2 These guidelines may not apply in all situations. Electromagnetic propagation is affected by absorption and reflection from structures, objects and people.

Guidance and manufacturer's declaration: Electromagnetic Immunity			
The Prime Care™ B301/601 is intended for use in the electromagnetic environment specified below. The customer or the user of the The Prime Care™ B301/601 should ensure that it is used in such an environment.			
Immunity test	IEC 60601 test level	Compliance level	Electromagnetic environment - guidance
Conducted RF IEC 61000-4-6 Radiated RF IEC 61000-4-3	3 Vrms 150 kHz to 80 MHz 3 V/m 80 MHz to 2.5 GHz	3 Vrms 3 V/m	<p>Portable and mobile RF communications equipment should be used no closer to any part of the Prime Care™ B301/601 including cables, than the recommended separation distance calculated from the equation applicable to the frequency of the transmitter.</p> <p>Recommended separation distance</p> $d = (1,2\sqrt{P})$ $d = (1,2\sqrt{P}) \text{ 80MHz to 800MHz}$ $d = (1,2\sqrt{P}) \text{ 800MHz to 2,5MHz}$ <p>Where P is the maximum output power rating of the transmitter in watts (W) according to the Transmitter manufacturer and d is the recommended separation distance in meters (m). Field strengths from fixed RF transmitters, as determined by an electromagnetic site survey,^a should be less than the compliance level in each frequency range.^b</p> <p>Interference may occur in the vicinity of equipment marked with the following symbol:</p> 
NOTE 1 At 80MHz and 800MHz the higher frequency range applies. NOTE 2 These guidelines may not apply in all situations. Electromagnetic propagation is affected by absorption and reflection from structures, objects and people.			
<p>^a Field strengths from fixed transmitters, such as base stations for radio (cellular/cordless) telephones and land mobile radios, amateur radio, AM and FM radio broadcast and TV broadcast cannot be predicted theoretically with accuracy. To assess the electromagnetic environment due to fixed RF transmitters, an electromagnetic site survey should be considered. If the measured field strength in the location in which the Prime Care™ B301/601 is used exceeds the applicable RF compliance level above, the Prime Care™ B301/601 should be observed to verify normal operation. If abnormal performance is observed, additional measures may be necessary, such as reorienting or relocating the Prime Care™ B301/601.</p> <p>^b Over the frequency range 150 kHz to 80 MHz, field strengths should be less than $[V_i]$ V/m.</p>			

**ENTRAPMENT WARNING**

Accurate assessment of the patient and monitoring of correct maintenance and use of equipment are required to prevent entrapment. For additional information on product and safety issues for bed frames and rails review the manual specific to the accessories you are planning to or have installed. If bed frames have been serviced or any other adjustments have been made, make sure all parts are securely back in place before operating the bed frame.

**ASSIST RAIL WARNING**

Other manufacturers assist bars may not be compatible and can lead to entrapment issues or harm to patients. Only compatible Primus Medical assist bars and rails may be used on this bed. Make sure mattress is the correct size for bed frame and the assist bars are secured to frame to decrease the risk of entrapment.

PRIMUS MEDICAL COMPLIANCE INFORMATION

Matching the correct bed components to meet regulatory specifications can be complicated. Primus Medical offers a wide variety of compliance options. Primus Medical can assist your facility in selecting correct components or accessories that are recommended for this specific bed model.

MATTRESS SPECIFICATIONS**WARNING**

Possible ENTRAPMENT Hazard may occur if you do not use the recommended specification mattress.

Resident entrapment may occur leading to injury or death.

- A mattress may not be included with this bed. It is recommended that a 36" wide mattress that is made to fit an 80" length bed frame is used, such as a Primus Medical Redistribution Mattress.
- Also available is the EXP42 Mattress Overlay which converts any 36"x80" foam mattress to a 42"x80" Redistribution Mattress when the width extension is in place.
- See Technical Specifications page for compatible mattress dimensions.

UNPACKING INSTRUCTIONS (tools needed: Pliers or Wire-cutters)



DAMAGE to the equipment may occur if the zip ties are removed incorrectly.

- If the package is standing, slowly lower to the floor.
 - It may be necessary for two or more people to help in lowering the bed.
 - Cut strapping around box; remove box ends and plastic surrounding bed frame.
 - Cut zip ties to remove wall guard at the head end of the bed.
 - Cut the zip ties to remove mattress retainers on each side of the bed.
 - Remove ties from pendant
 - Remove any remaining zip ties or foam left on bed frame
-
- Locate power cord and plug into grounded 110-240 VAC outlet
 - Raise the bed frame and check to make sure everything is plugged into the control box and no wires are loose. Bed should be unplugged from main power supply before adjusting actuator power and control cables.

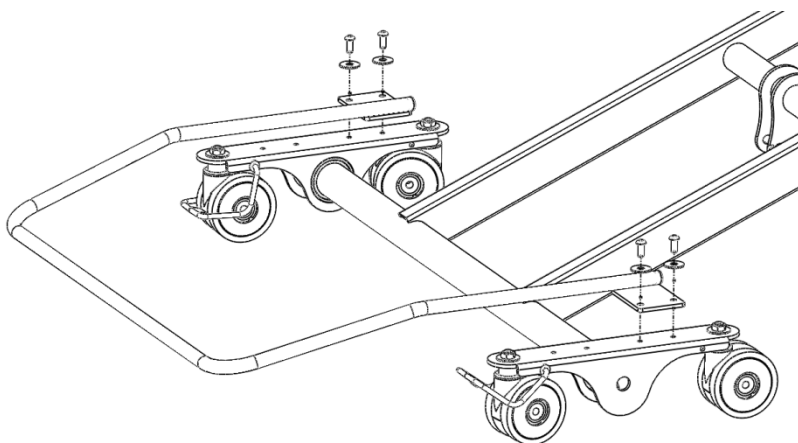
NOTE: DO NOT remove zip ties that are holding cords underneath bed frame.

ASSEMBLY

WALL BUMPER INSTALLATION

The wall bumper is designed to prevent damage to facility walls by keeping the head end of the bed spaced off the wall.

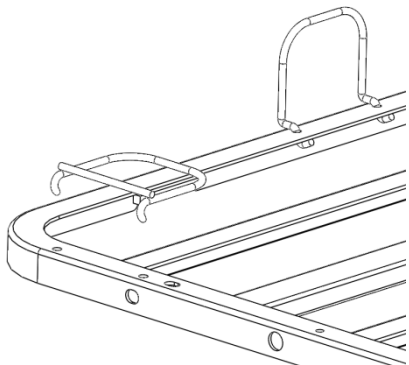
- Locate the wall bumper assembly over the two sets of holes in the top of the caster truck closest to the center of the bed.
- Install the (4) 1/4" bolts and washers as shown below, using the included Allen wrench.
- **NOTE:** If installing a trapeze the two sets of mounting holes farthest from the center of the bed should be used.



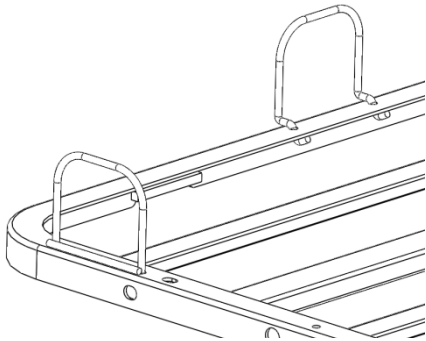
MATTRESS RETAINER INSTALLATION

Mattress Retainers are designed to keep the mattress in place on the sleep surface. Please read this important information on Mattress Retainers and follow instructions on installation.

- Insert 2 ends of retainer into holes on the deck



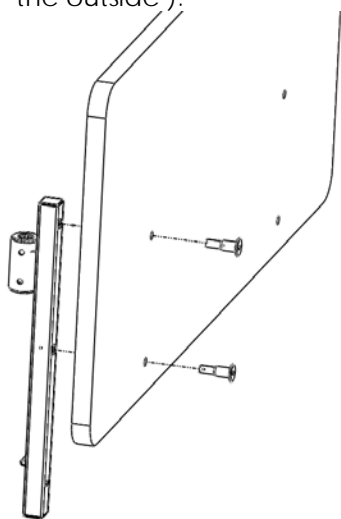
- Rotate mattress retainers outward.



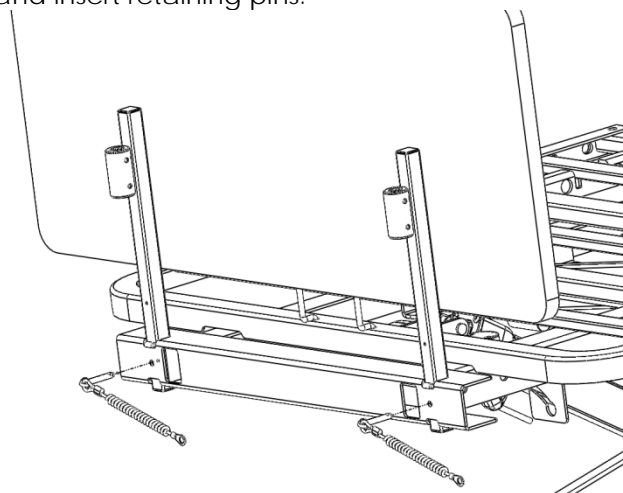
- In total, 6 retainers are required for a bed.
- Place the mattress on mattress support deck, making sure mattress fills length between Mattress Retainer stops. Also, make sure the mattress does not compress more than 1.5" under patient/resident weight.

HEADBOARD AND FOOTBOARD INSTALLATION

- Attach the headboard to the headboard bracket using through bolts (IV holder facing the outside).



- Repeat for 2nd bracket.
- Insert the assembly vertically into the square holes at the head end of the bed frame and insert retaining pins.



- Attach the footboard using through bolts to the footboard bracket (no IV pole holder).
- Repeat for 2nd bracket.
- Insert the assembly vertically into the square holes at the foot end of the bed frame and insert retaining pins.

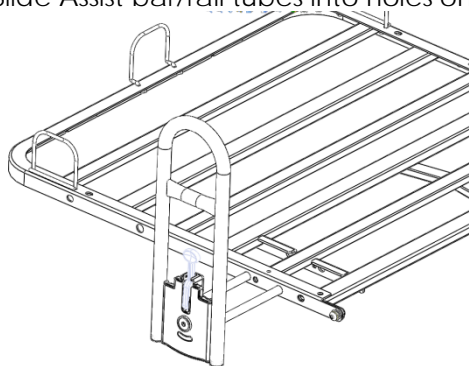
ASSIST BAR/RAIL INSTALLATION



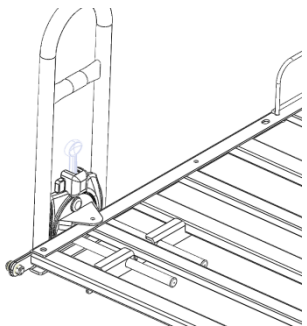
ASSIST RAIL WARNING

Other manufacturers assist bars may not be compatible and can lead to entrapment issues or harm to patients. Only compatible Primus Medical assist bars and rails may be used on this bed. Make sure mattress is the correct size for bed frame and the assist bars are secured to frame to decrease the risk of entrapment.

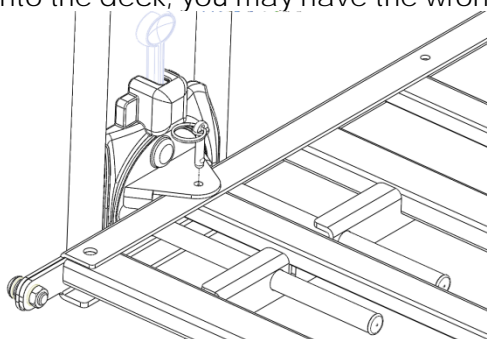
- Slide Assist bar/rail tubes into holes on the side of the head deck.



- Ensure tubes go through the 2nd plate toward the center of the bed.

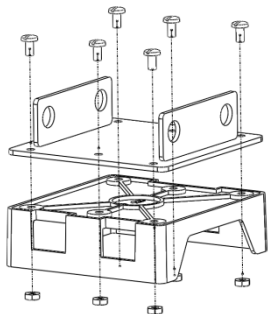


- Insert the retaining pin through the hole in the assist bar/rail and through the hole in the head deck. (Rotating rails have left and right sides. If you cannot insert the retaining pin into the deck, you may have the wrong side.)

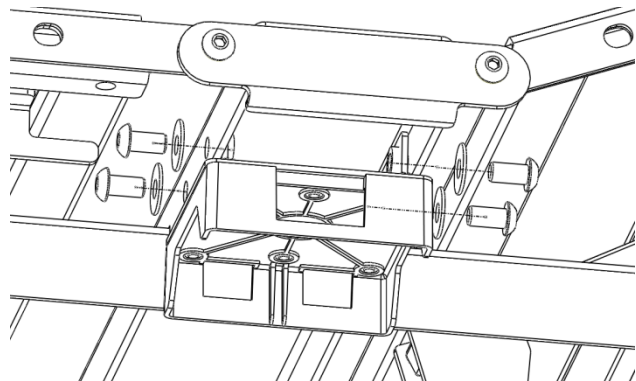


BATTERY BACK-UP* (Tool List: Phillips Screw Driver and 9mm wrench and socket/driver) *Available on PCB601

- Mount the plastic battery mounting bracket to the steel battery plate using the 6 #8 screws and nuts included.



- Install the battery mounting plate to either side of the center of the bed frame using the 4 3/8" bolts and washers included.



- Slide the battery into place; make sure it is secure into the mounting bracket.
- Attach the cord from the battery into the control box (black color).
- The battery back-up will now work if the bed becomes unplugged from the wall outlet or there is a power failure.

**CRUSH HAZARD**

Installation of the battery backup creates a possible foot crush hazard. Primus Medical recommends that the battery backup is installed on the side of the bed that is against the wall to minimize this crush hazard.

BED FUNCTIONS

Hand Control Operation



CRUSH HAZARD

DO NOT place body parts under the frame when lowering the bed.

4 Function Hand Pendant

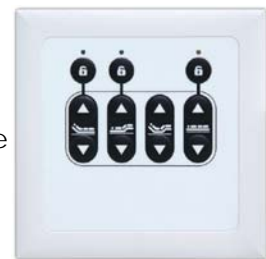
- Head deck up and down.
- Foot deck up and down.
- Auto Contour - raise and lower the head and foot decks at the same time.
- Bed deck up and down.



Staff Control Pad Operation

4 function

- This controller is located on the footboard.
- Head deck up and down.
- Foot deck up and down.
- Auto Contour - raise and lower the head and foot decks at the same time.
- Bed deck up and down.
- Locking buttons can be engaged to not allow specific movements.



Heel Lift Ratchet

- With the thigh deck section set at the preferred position, lift the foot panel.
- There are six fixed stops on the heel lift that it can be set at.
- The panel must be lifted slowly to connect each stop.
- The heel lift cannot be lowered to a lower adjustment without resetting in the highest position.
- To lower the panel, lift the panel to the highest setting and lower in one motion.

Power Cord Storage

- A Power cord strain relief hook is located underneath the bed frame at the head end of the bed keeps the power cord off the floor and protects the power cord from getting severed or run over.
- If the power cord is not in place under the bed, untie the power cord and stretch out toward the head of the bed.

NOTE: Disconnect the main power cord from the wall outlet and store the power cord when the bed is not in use. Make sure the power cord is placed on the sleep deck and not hanging off the bed where it may be damaged. Secure the power cord to the head of the bed when moving the bed.

BED MOBILIZATION AND STABILIZATION



WARNING

Involuntary bed movement may take place if the floor lock or bed casters are left unlocked. Involuntary bed movement may lead to property DAMAGE or resident INJURY. Never leave a bed unattended while the floor lock is disengaged.

Floor Lock Operation (PCB601)

- Press the red side of the floor lock lever to engage.
- Press the green side of the floor lock lever to disengage.
- Floor lock system may be operated from either side of the bed.

Caster Lock (PCB301/PCB601)

- To lock the head end of the bed use the locking casters at the head end of the bed.
- To lock the casters push down on the caster tabs near the top of the caster, this will prevent the bed from moving.
- The PCB301 is equipped with caster locks on the foot end of the bed as well. These locks are engaged and disengaged the same way as the head end caster locks.
- To unlock the casters push up on the caster tabs near the top of the caster, this will allow the bed to move in all directions.



CAUTION

Moving the bed while the floor lock or caster lock is engaged may cause DAMAGE to the bed. Do not move the bed until the floor lock and caster lock are unlocked.

Head End Caster Alignment Mechanism

- Caster Alignment mechanism (Bale) is on either side of the head end caster truck.
- Align caster with the truck body and lower the bale over the caster.
- With the bale in place, the head end of the bed will tend to track in a straight line.

CARE AND MAINTENANCE



Equipment or property DAMAGE or resident INJURY may take place during maintenance.

Cleaning Instructions

- Prior to cleaning unplug power supply cords
- Make sure all electrical parts (motors, control boxes and pendant) are not broken and all housing components are unplugged. Ensure that NO liquids enter electrical components.
- Sanitize and wash all components. DO NOT submerge the bed frame or electrical components.
- Use standard water pressure. DO NOT power wash or steam clean any parts
- Rinse completely with water (Maximum temperature 110°F or 43°C). Solvents, alcohol or petroleum should not be used on the bed.
- Make sure all parts are dry before using or storing

NOTE: THIS PRODUCT IS NOT COMPATIBLE WITH WASHDOWN TUNNELS



INSPECTIONS

Failure to take care of your bed may decrease the life of your product and increase maintenance.

Always service the bed at the required intervals.

INITIAL INSPECTION

- Inspection of All Components - Receipt of assembled bed
- Check bed components for obvious damage
- Inspect power supply cords for cuts and/or damage
- Check that actuator cords are connected properly to the controller
- Verify proper functionality

Annual Inspection

- Perform all Semi-Annual inspections.

Mattress Support Surface, Frame and Base Assemblies

- Inspect welds on the mattress support surface, frame and base assemblies for cracks.
- Verify all fasteners are tight.
- Inspect fasteners for wear or damage.

Actuators

- Inspect push tubes and end connections of all actuators for excess wear or bending.

- Verify that all clevis pins are in place and are retained by bowtie clips.

Casters

- Check that locks on casters lock properly (if equipped).
- Check that all casters roll properly.
- Check bed brake mechanism for proper function (if equipped).
- Check head end caster alignment mechanism to verify proper function.

Semi-Annual Inspection

- Perform all Quarterly inspections.

Control Box

- Check power cord for chafing, cuts, or wear.
- Check electrical connections for wear or fractures.
- Verify that all actuator connections are tight.

Actuators

- Check actuator cords for chafing, cuts or wear.

Authorized Accessories

- Ensure proper function of accessory.
- Ensure no tubes are bent.

Quarterly Maintenance Check

- Inspect all welds for cracks.

Control Box

- Make sure all attachment hardware and brackets are tight.

Pendant

- Check pendant cord for chafing, cuts or wear.
- Check all pendant buttons for proper function.

Actuators

- Check to make sure actuators do not bind at any point throughout their full range of motion.

Authorized Accessories

- Inspect all fasteners for looseness and wear. Replace or tighten as necessary.
- Ensure welds do not have cracks.

If the bed has a battery, unplug from the wall outlet and validate function. The battery may be built-in or portable.

ADVICE TO RESPONSIBLE ORGANIZATION

- Carry out all adjustment and cleaning procedures specified.
- Assembly of this bed and modifications made during the actual service life require evaluation to the requirements of IEC 60601-1 and IEC 60601-2-38.

Servicing

Possible Shock Hazard may occur if the main power supply cord for the Control Box is not unplugged from the wall outlet before any maintenance is performed on Actuators or Control Box.

ACTUATORS AND CONTROL BOX

Cord and Socket Identification

- Attendant Control (Green)
- Hand Pendant (Red)
- Head Section Motor (Black)
- Foot Section Motor (Yellow)
- Hi/Lo Motor (Blue)
- Battery Back-Up (Black)

Replacing Control Box

- Unplug main power supply from the wall outlet
- Unplug connections for all actuators and accessories
- Separate the control box from the actuator
- Reinstall the control box on the actuator
- Plug all connections back into control box following color coding
- Test function

Replacing Actuators

- Unplug power supply cord from the wall outlet
- Identify the actuator to replace
- Tip bed on its side to remove the Hi/Lo actuators
- Unplug actuator cord from control box
- Actuator is held in place by (2) clevis pins
- Remove bowtie clips from clevis pins
- Slide the clevis pins out of the holes
- You can now replace the actuator
- To reassemble bed, reverse previous steps, and make sure to:
 - Assemble clevis pins as originally installed with bowtie clips
 - Zip ties should be replaced, with cords to their original position and routing direction to the control box

Replacing the AC Power Cord

- Unplug power cord from wall outlet
- Unplug the power cord from the control box
- Remove tie-wraps holding power cord in place on frame
- Plug the new power cord into the control box
- Route the new power cord in the same manner as the original cord ensuring use of strain relief device
- Replace tie-wraps to hold power cord to frame
- Plug power cord back into wall outlet

END OF LIFE DISPOSAL

- Many components of this product may be recycled.
- Please dispose of non-recyclable items properly.

TROUBLE SHOOTING GUIDE



WARNING Before doing any repairs or maintenance to the bed frame, read all instructions, cautions, and warnings. The repairs should be done by a skilled technician.

Effect	Possible Cause	Verification	Corrective Action
Bed does not stay in place	Floor lock is not engaged Floor lock is not functioning	There may be an object in-between the floor and casters, the floor may be slippery Floor lock stuck in one position	Activate Floor Lock Clean the floor; remove any objects that may be in the way. Make sure the floor is dry. Contact Primus Medical 1-877-638-2776
Bed not steering correctly	Bed is only moving straight forward not side to side Bed is moving side to side	Caster alignment mechanism (Bale) is down Caster alignment mechanism (Bale) is up	Lift caster alignment mechanism (Bale) up and bed will move in desired direction Push caster alignment mechanism(Bale) down and bed will move straight
Actuators not working	Wire connections may be loose or damaged Hi/Lo lockout may be on Faulty actuator	Visually check wire connections for looseness or fraying The light on the attendant control panel is on Disconnect power cord from bed that is not functioning and use on another bed that is functioning, Reconnect the power and test functions on that bed. A faulty actuator will not work with any connection port	Reconnect any loose wires and/or power cords. If cord is frayed replace immediately Unlock panel by pushing lock button and light should go off Contact Primus Medical 1-877-638-2776
Bed stalls while operating	Thermal shut down	Bed works for a short period of time then cuts out. Check for obstructions or any interference with bed frame, such as window sill or too much weight on bed frame.	Wait a period of time before using the bed frame again. DO NOT keep trying to override this as it will shorten the life of your product. Bed is intended to be used for 2 min then allowed to rest for 20 min.

WARRANTY

Primus Medical Prime Care™ B301/601 Beds, is guaranteed for a 3 year period from the date of delivery. The guarantee is against any defects in materials and craftsmanship, under normal use and service.

This 3 year warranty includes electrical and mechanical parts and components. Welds are covered under lifetime¹ warranty of the product. Steel structural components are covered under the 15-year warranty from the date of delivery.

Damage caused by inappropriate environmental conditions, mistreatment or failure to maintain the product in agreement with user and service instructions is not covered under warranty.

Any change, adjustments, or repair unless performed or authorized in writing by Primus Medical, will void the warranty.

Parts

Primus Medical beds contain a variety of parts that wear from normal use. Some products are not covered under the 3-year warranty but do fall under the 90 day warranty, such as DC batteries. Primus Medical's responsibility under this warranty is limited to supplying replacement parts, servicing or replacing, at its option, which is found to be faulty by Primus Medical.

Warranty replacement parts are covered by the warranty until the product's 3- year warranty period expires. For warranty replacement, Primus Medical requests that broken parts be sent back to them for evaluation. A credit will be issued only after the inspection.

Service

A majority of service requests can be handled by the facility maintenance department with assistance from Primus Medical tech support. If a Primus Medical technician is required one will be provided by Primus Medical at our discretion.

Most parts can be shipped next day air at the customer's expense.

Made in China

This warranty is extended to the original purchaser of the equipment.

¹ Weld lifetime defined as 20 years